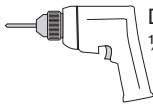
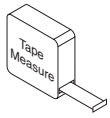
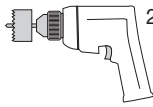


FE575/FE595 Door Preparation Instructions For Door With No Holes

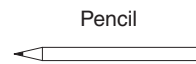
Tools Needed



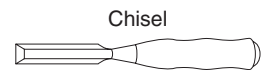
Drill Bits Needed:
1/8", 7/8", 1"



2 1/8" Hole Saw



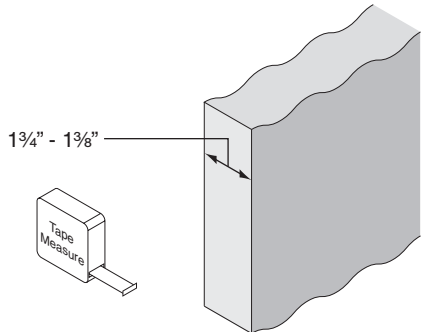
Pencil



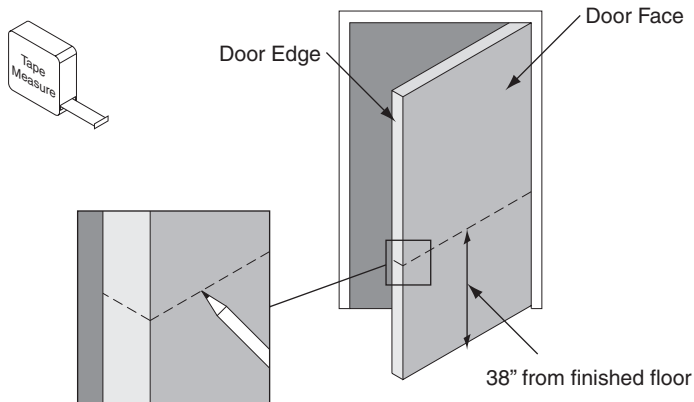
Chisel

1 Measure Door Width

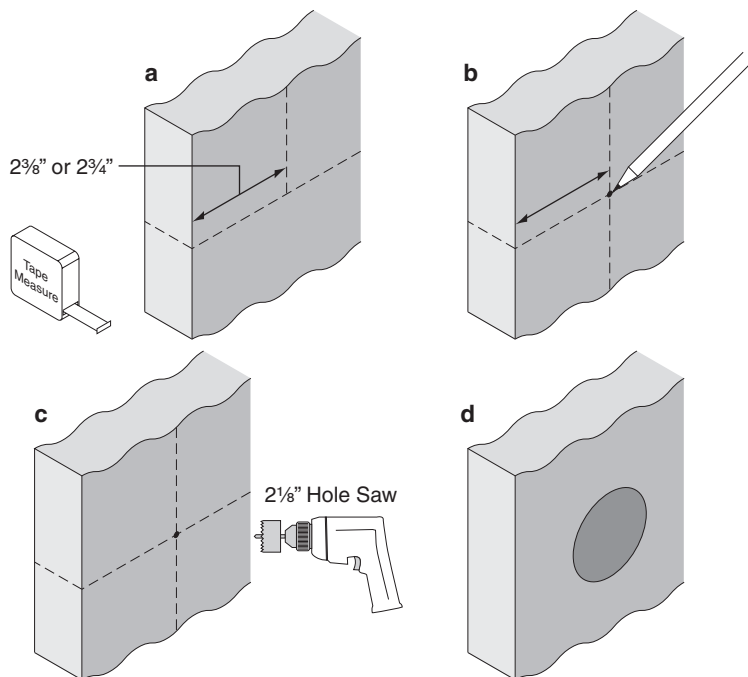
If the door is thinner than 1 3/8" or thicker than 1 3/4", then the lock will not fit properly on the door.



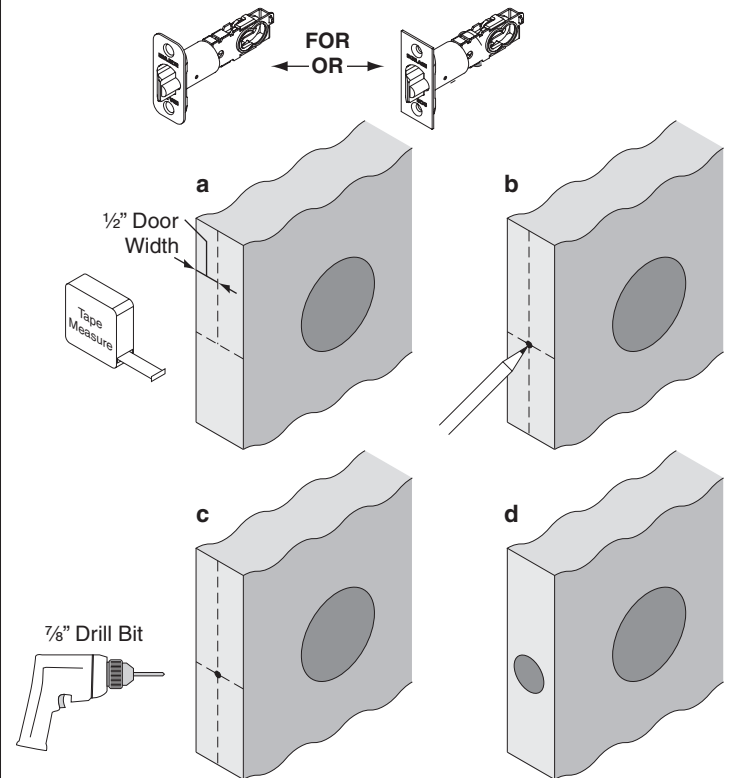
2 Mark Lock Centerline on Door Face and Door Edge



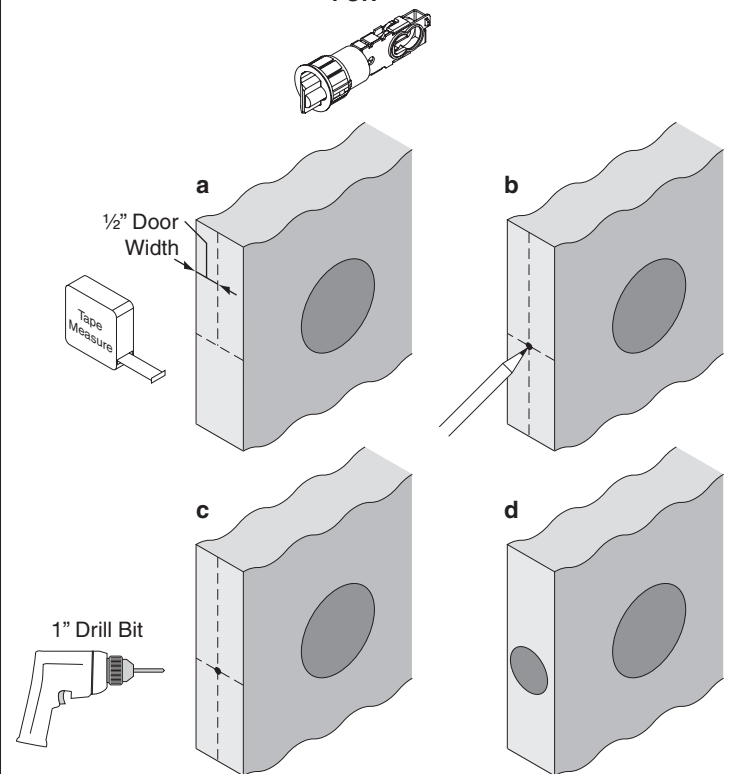
3 Mark and Drill Hole in Door Face with 2 1/8" Hole Saw



4 Mark and Drill Hole in Door Edge

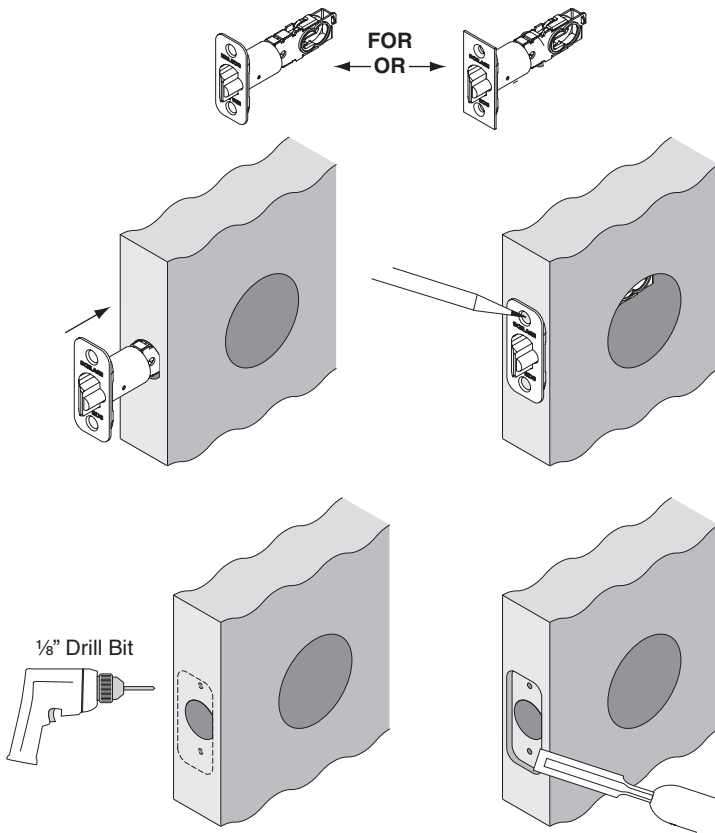


OR
FOR

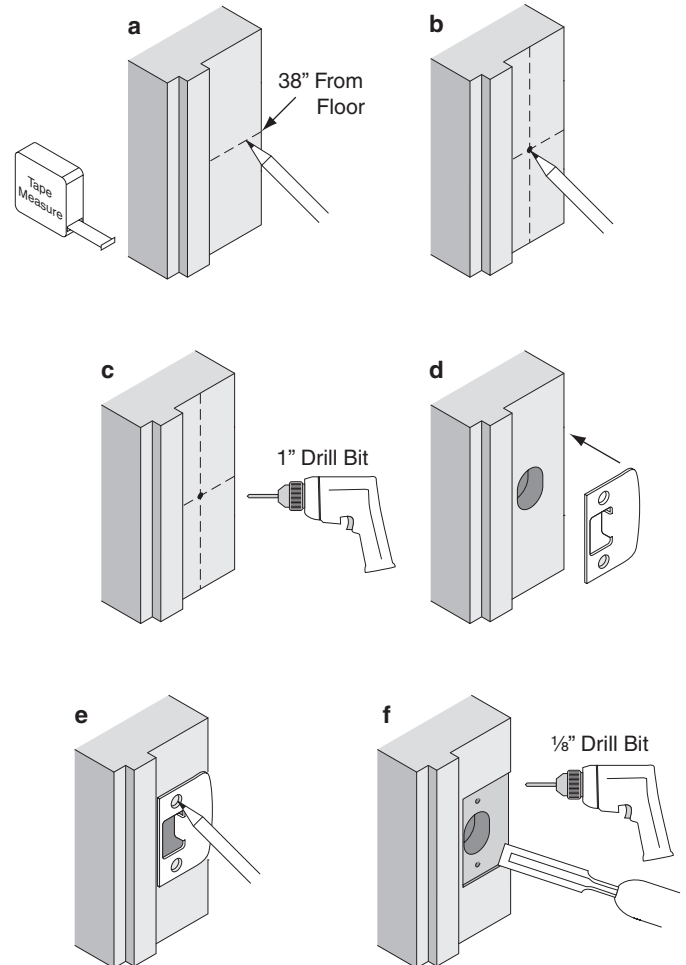
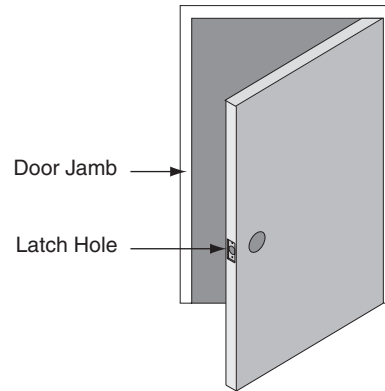


5**If Necessary, Mortise for Latch**

- Insert latch into door edge hole.
- Use pencil to trace latch and mark holes.
- Remove latch and drill two $\frac{1}{8}$ " pilot holes.
- Use chisel to create latch mortise.

**7****Mark and Drills Holes for Strike**

- Measure 38" from finished floor and mark on door jamb.
- Mark center for strike hole exactly opposite latch hole.
- Drill 1" hole, $\frac{1}{2}$ " deep.
- Line up strike with hole in door jamb.
- Use pencil to trace strike and mark holes.
- Drill two $\frac{1}{8}$ " pilot holes and use chisel to create strike mortise.

**6****Measure Door Jamb for Strike**