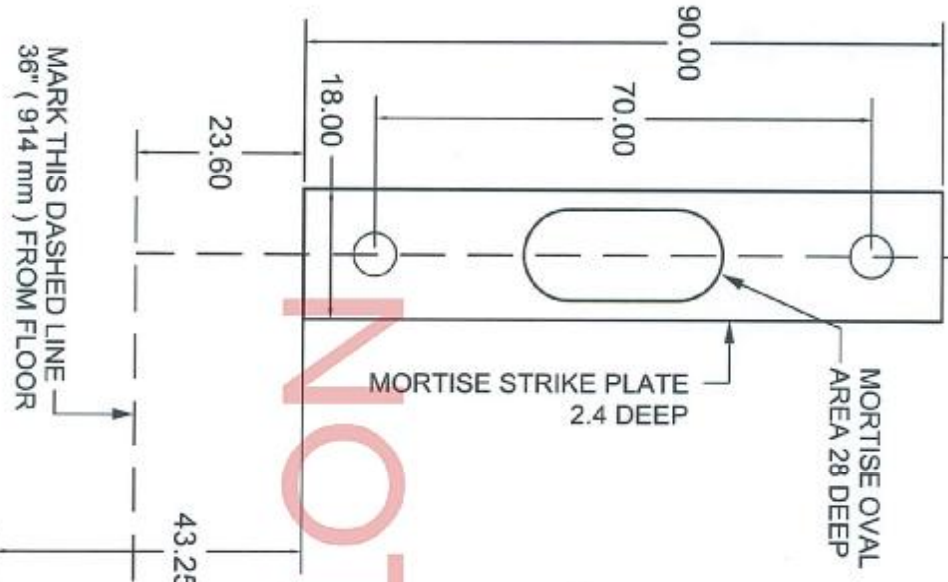


PART 3

STRIKE PLATE

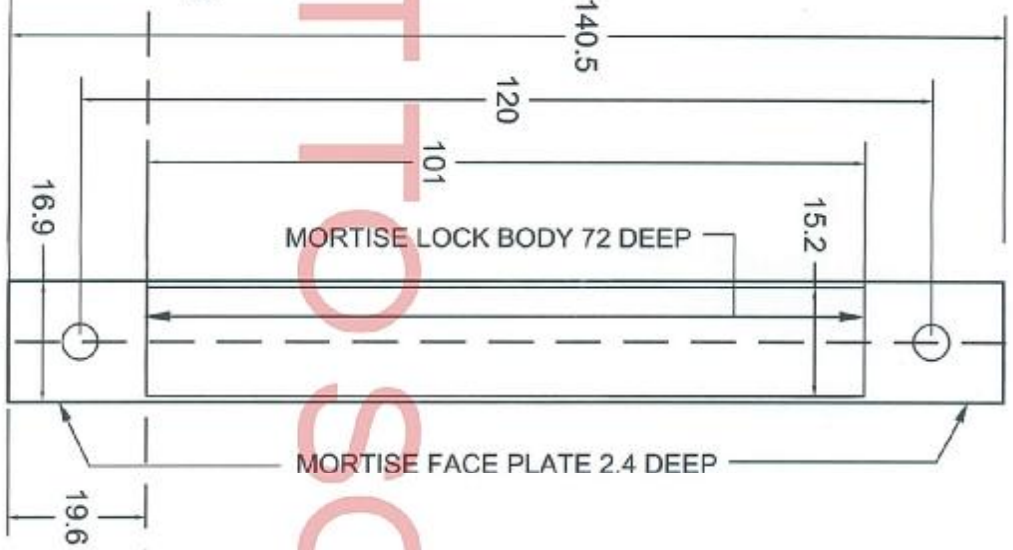
ALIGN THIS TO CENTER OF DOOR WIDTH



PART 2

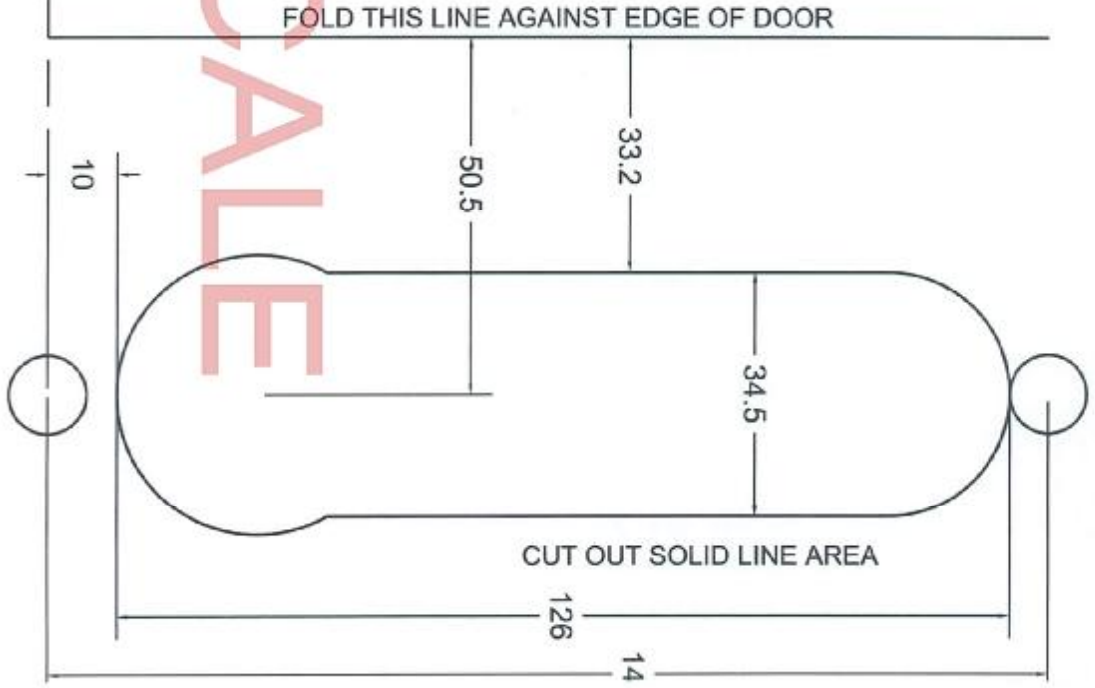
ACTIVE FACE

ALIGN THIS TO CENTER OF DOOR WIDTH



PART 1

CUT OUT SOLID LINE AREA



WARNING! Do not cut door to recess trims

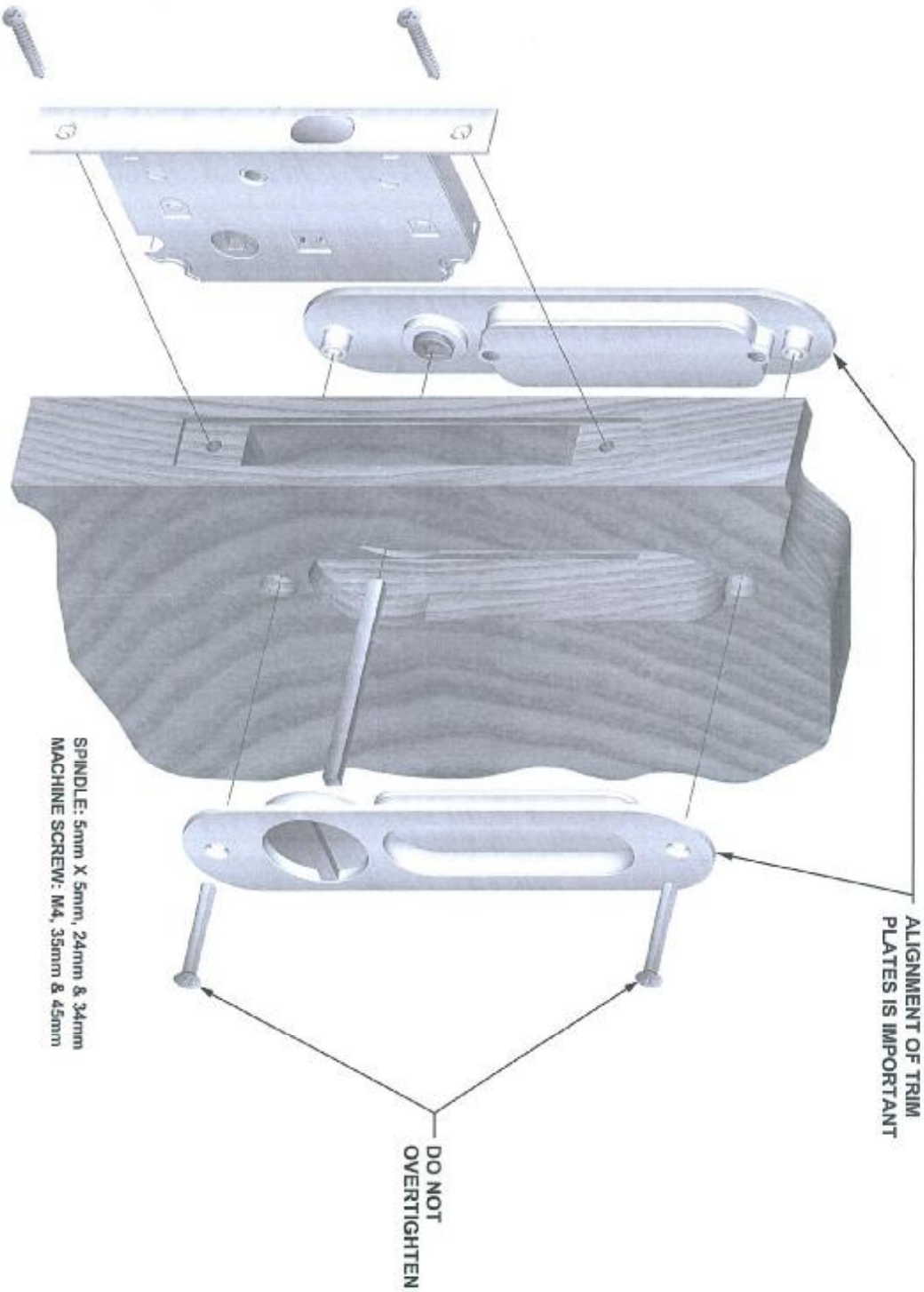
DIMENSIONS: MILLIMETERS

POCKET DOOR LOCK TEMPLATE

linnea-home.com

800-219-2366

©Linnea, All Rights Reserved. Copyright 2010



MINIMUM DOOR THICKNESS 1-3/8"
DO NOT RECESS TRIM PLATES
USE 24mm SPINDLE & 35mm SCREW FOR 1-3/8" DOOR
USE 34mm SPINDLE & 45mm SCREW FOR 1-3/4" DOOR

 **Linnea**[®]
POCKET DOOR LOCK INSTALLATION
linnea-home.com 800-219-2366