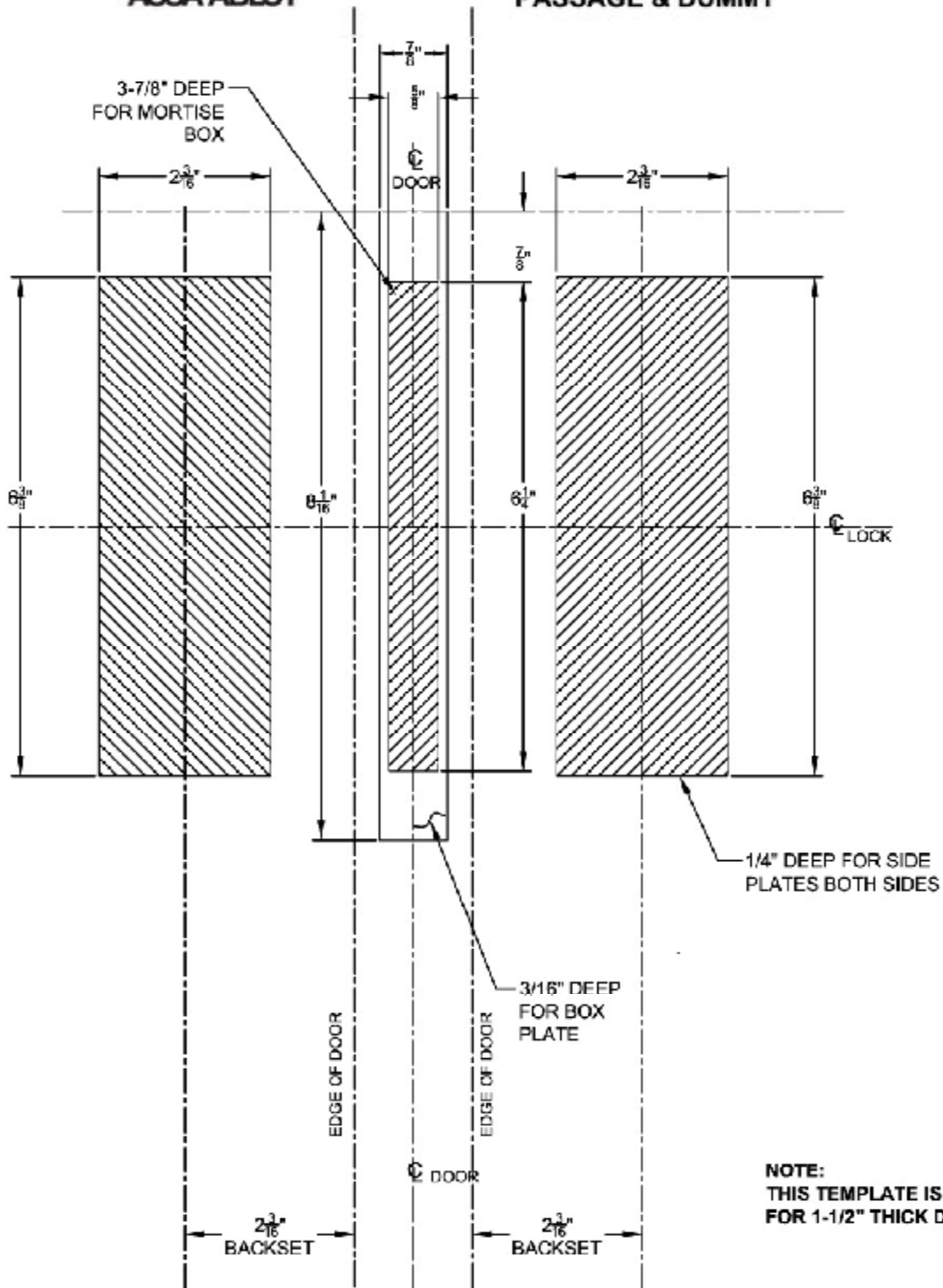


**POCKET DOOR MORTISE  
HOLE PREPARATION  
PASSAGE & DUMMY**



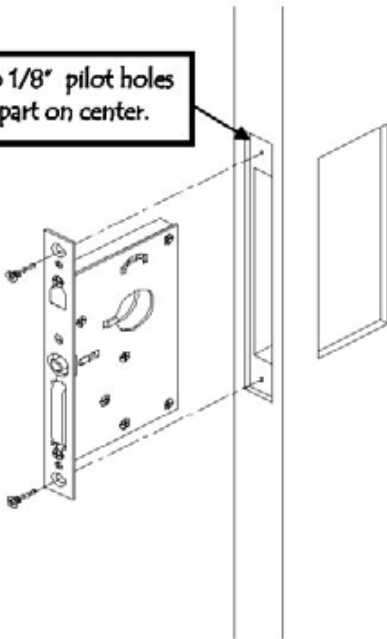
\* NOTE: 8-1/2" X 11" COPY OF THIS TEMPLATE NOT TO SCALE.

TM-POCKET-MORTISE-UM-REV 05/2010

Installation Instructions – Pocket Door Mortise Lock, Dummy & Passage

See included template for door prep specifications

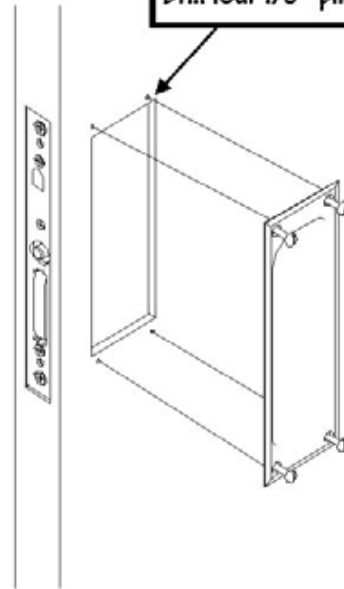
Drill two 1/8" pilot holes  
7-1/8" apart on center.



Install lock body into door.

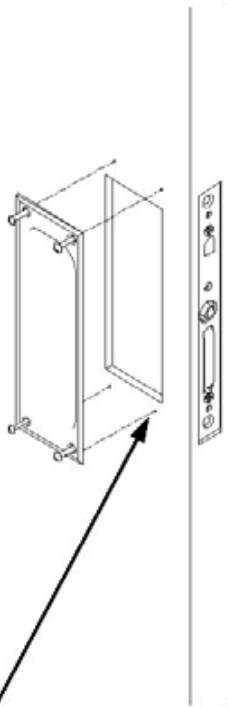
Inside Trim

Drill four 1/8" pilot holes

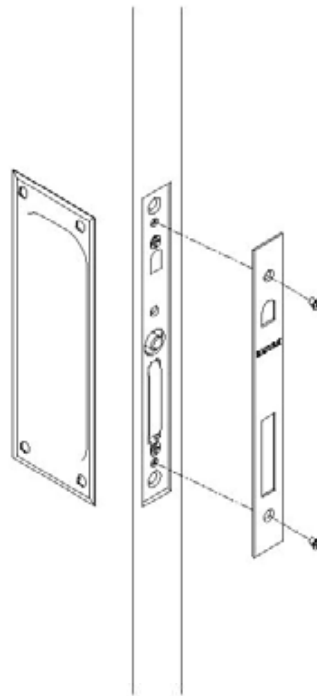


Outside Trim

Drill four 1/8" pilot holes



Secure Trim Plate with 6-32  
Machine screws (provided).

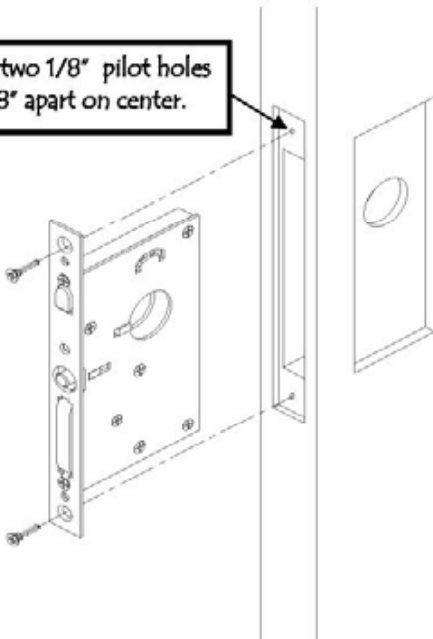


**EMTEK**  
ASSA ABLOY

Installation Instructions - Pocket Door Mortise Lock, Privacy

See included template for door prep specifications

Drill two 1/8" pilot holes  
7-1/8" apart on center.



Install lock body into door.

Place Thumb-Turn Medallion into lock body.

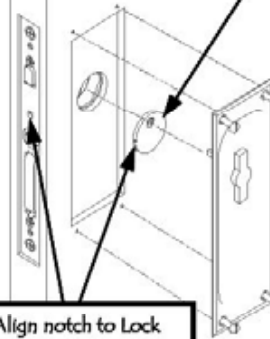
Align notch to Lock  
Body and tighten  
locking screw Counter  
Clockwise to engage  
notch  
NOTE: DO NOT  
OVER TIGHTEN

Inside Trim

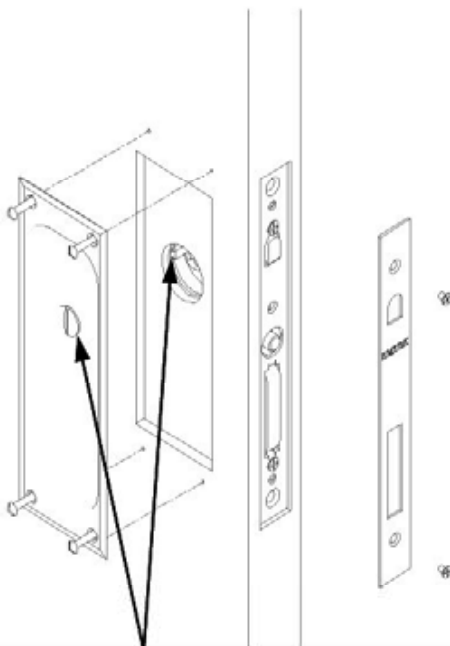
Tapered Spring

Thumb-Turn  
Spindle

Opposite side of Trim

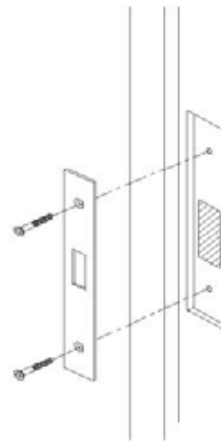


Outside Trim



Align Passage/ Privacy Button with Thumb-Turn  
Spindle and secure trim plates to door.

Door Jamb Prep.



Drill two 1/8" pilot holes for wood screws provided).

**EMTEK**  
ASSA ABLOY