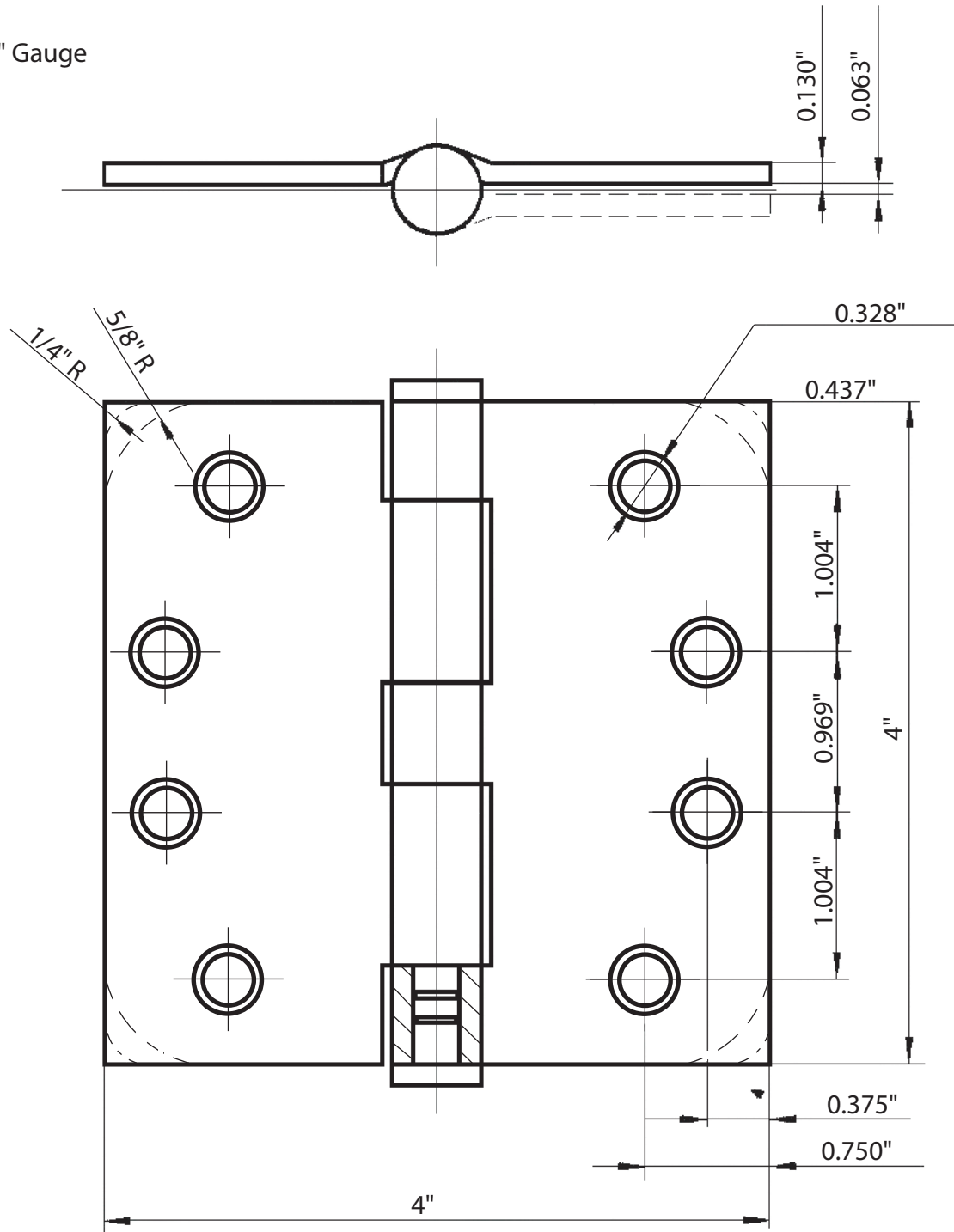


0.13" Gauge



CH400 Commercial Hinge Plain Bearing