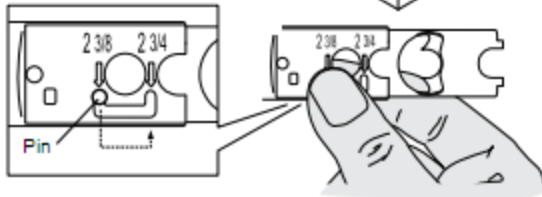


1. Adjust and install latch

Measure your door backset as shown.

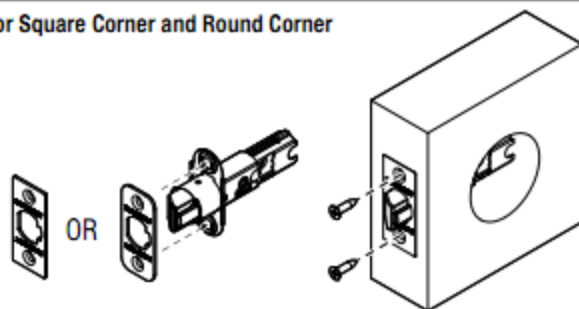
- ⚠ If backset of door measured 2-3/4" (70mm), adjust latch shown by grasping the spring pin and moving it to the 2-3/4" slot.



LATCH ASSEMBLY AND INSTALLATION

- ⚠ Make sure the slant of latch bolt faces in the direction that the door closes.

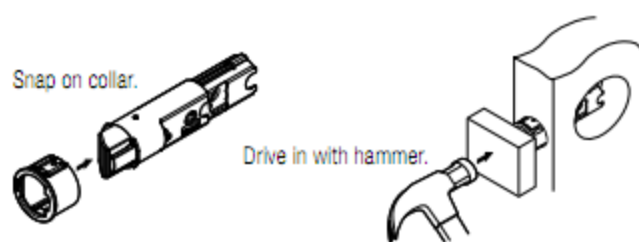
For Square Corner and Round Corner



Snap together front and back plate.

Install with 1/2" screws.

For Drive In Latch

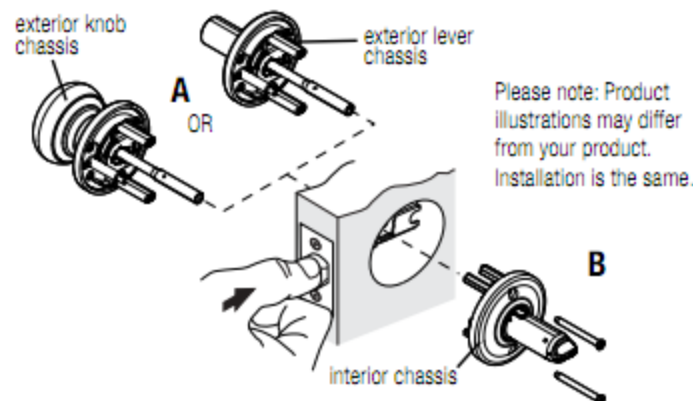


Snap on collar.

Drive in with hammer.

2. Install chassis

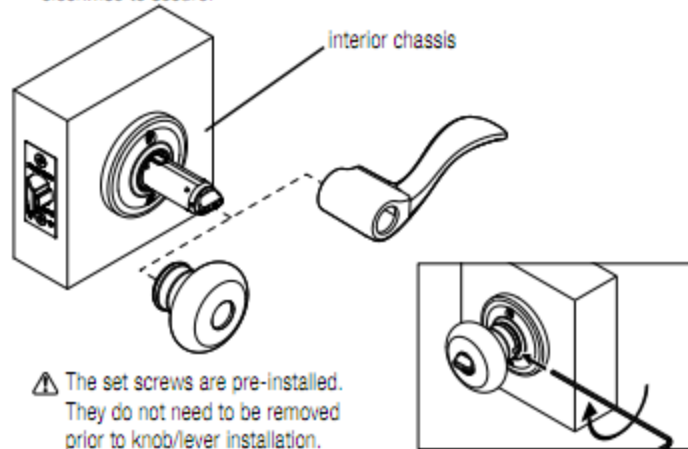
- A. Push and hold in latch bolt and install exterior chassis.
B. Insert interior chassis and install with screws.



Please note: Product illustrations may differ from your product. Installation is the same.

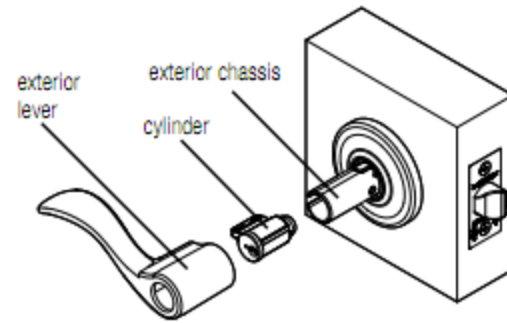
3. Install knob / lever

Place knob or lever onto interior chassis and turn set screw clockwise to secure.

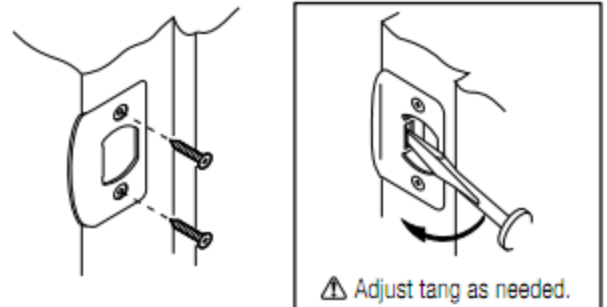


- ⚠ The set screws are pre-installed. They do not need to be removed prior to knob/lever installation.

For lever type assembly, install cylinder and lever on exterior lever chassis. Turn set screw clockwise to secure. Please note, the exterior knob is pre-installed; no assembly is required.



4. Install strike

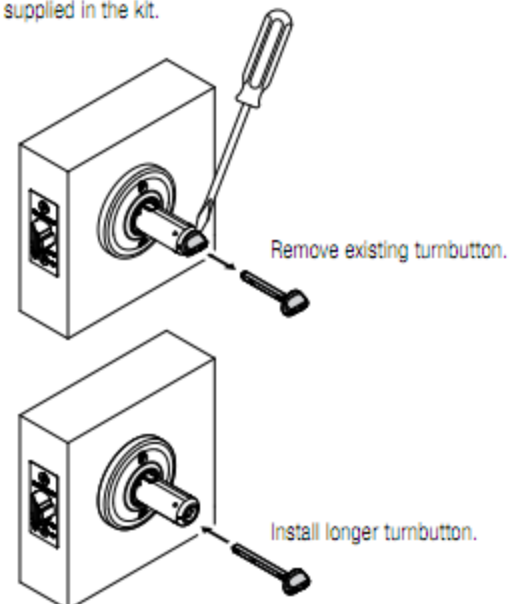


⚠ Adjust tang as needed.

THICK DOOR KIT INSTALLATION INSTRUCTIONS (AVAILABLE SEPARATELY)

Supports 2" (51 mm) up to 2-1/2" (64 mm) doors

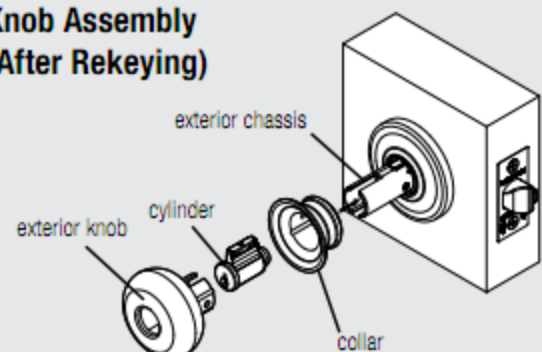
After the completion of Step 1, install the longer turnbutton supplied in the kit. Proceed to Step 2 and install with longer screws. During Step 4, install strike supplied in the kit.



Remove existing turnbutton.

Install longer turnbutton.

Knob Assembly (After Rekeying)



1. Install collar, cylinder, and knob onto exterior chassis.
2. Rotate the collar until the projections on the chassis align with the grooves on the collar.
3. Push the knob towards the collar and turn set screw clockwise to secure.