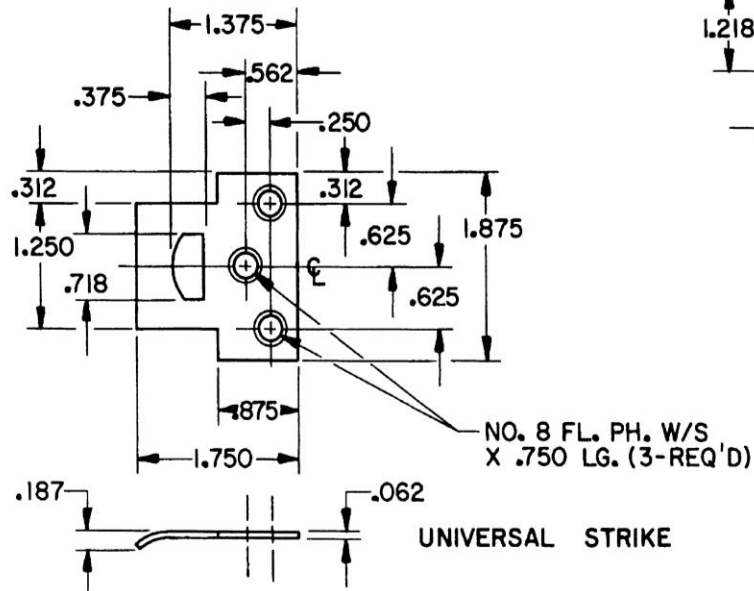
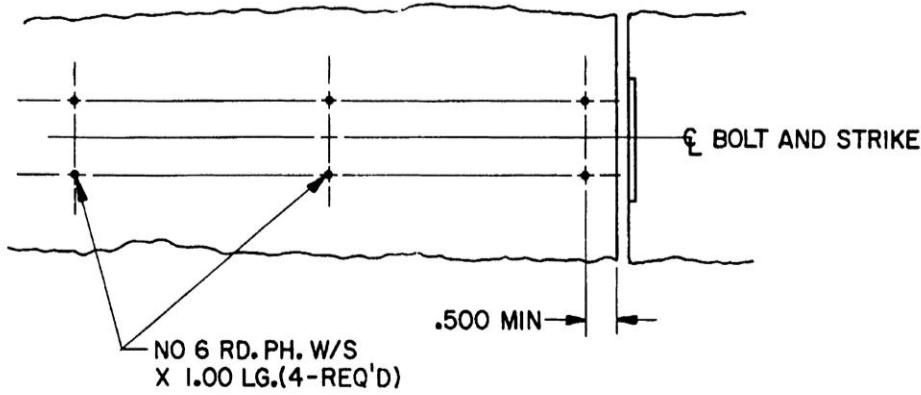
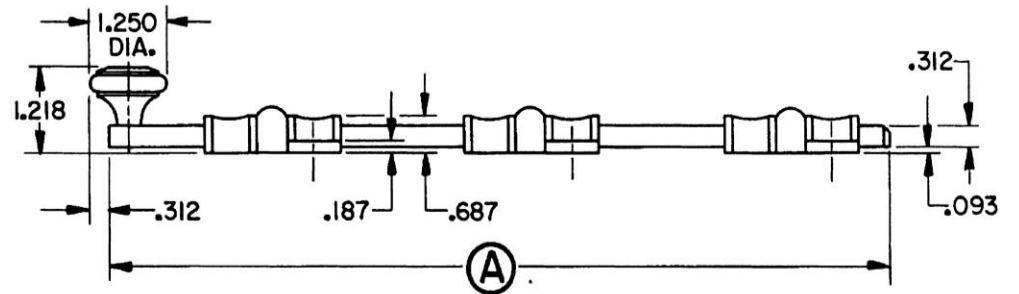
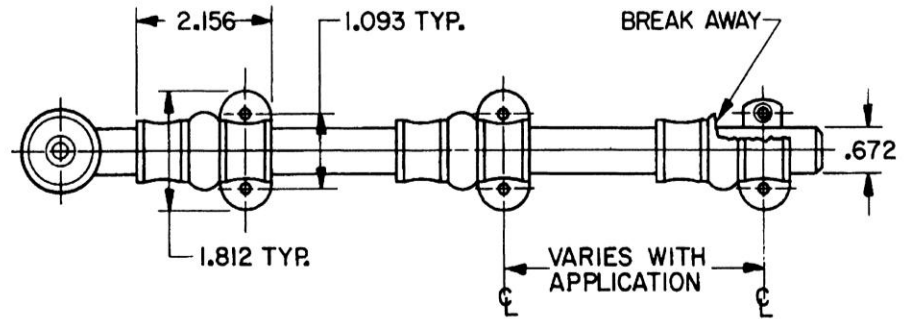


# DOOR AND JAMB DETAIL



# BOLT DETAIL



PART NO.	0381	0382
DIMENSION A	12.00	18.00

<b>BALDWIN</b>	
<b>SURFACE BOLTS</b>	
TEMPLATE NO. VARIATIONS	TEMPLATE NO.
	<b>A143</b>

DO NOT SCALE DRAWING

©1986 by Baldwin Hardware Corporation

EFFECTIVE: 9-1-86