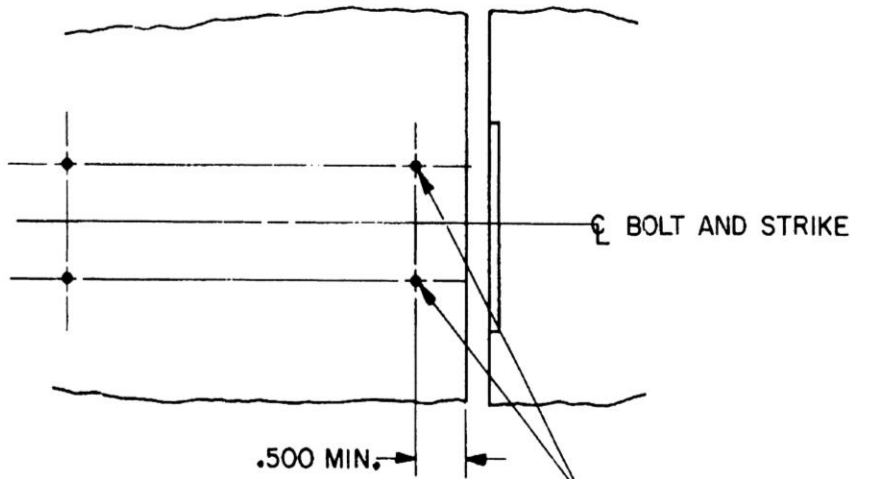
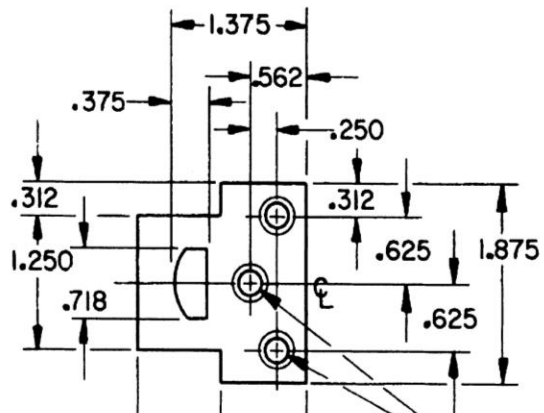


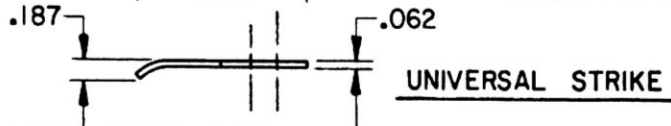
DOOR AND JAMB DETAIL



NO. 6 RD. PH. W/S
X 1.00 LG. (4-REQ'D)

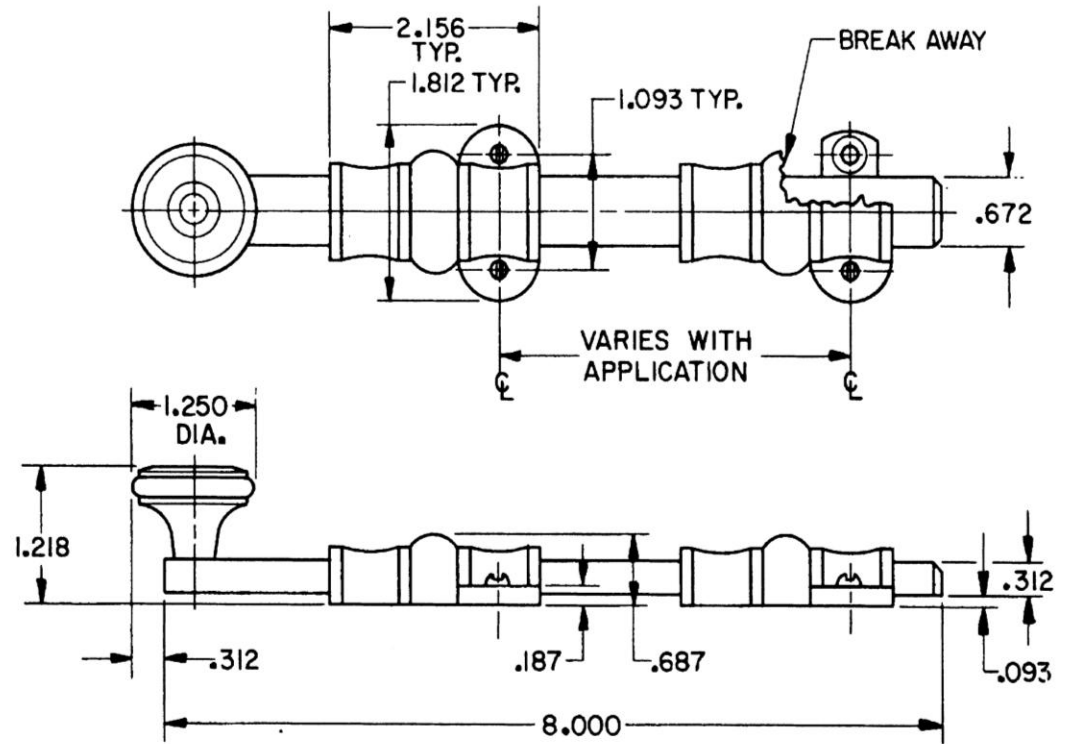


NO. 8 FL. PH. W/S
X .750 LG. (3-REQ'D)



UNIVERSAL STRIKE

BOLT DETAIL



BALDWIN

0380 SURFACE BOLT

TEMPLATE NO. VARIATIONS

TEMPLATE NO.

A142

DO NOT SCALE DRAWING

©1986 by Baldwin Hardware Corporation